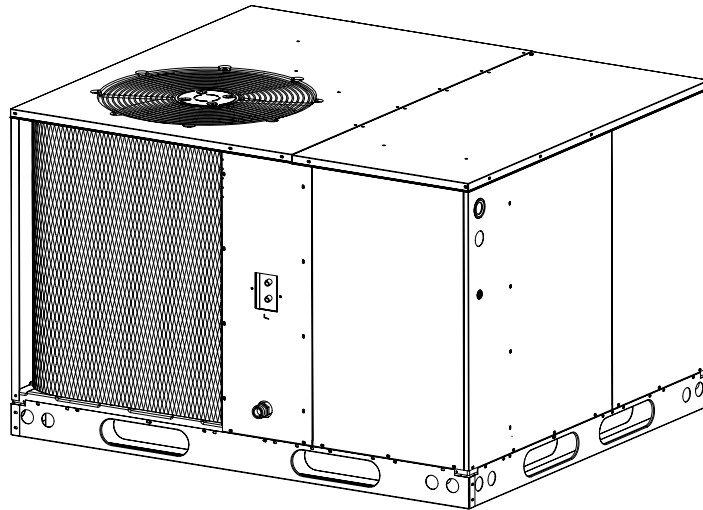


GQ4SD Series Single Packaged Heat Pump 13 SEER

The GQ4 Series single packaged units are high efficiency self contained cooling and heating units that can be installed on a roof or on a slab. The convertible unit design makes installations simple in all applications. Units are ETL and ETLc listed.



FEATURES and BENEFITS

• Warranty

- This product offers a 10-year all-parts warranty.
- This product offers a 1 Year Quality Pledge to replace the unit if the compressor fails in the first year of operation, to the original owner. All split system products must be installed with a matched indoor air handler or indoor coil.
- Consumer product registration required for 10 year All Parts Warranty and Quality Pledge within a limited period of time after the installation. See current warranty document or visit our consumer web site listed on the back of this document for warranty details.

• Compact Footprint/Low Profile

Easy to handle and transport.

• Heavy-Gauge, Full Perimeter

Base Rails

Facilitates forklift handling and curb mounting.

• Convertible Air Delivery

Horizontal or downflow to accommodate rooftop or horizontal application.

• Galvanized Steel Cabinet

with polyurethane finish provides 950 hour salt spray protection.

• Plastic Mesh Hail Guard

Will never rust and protect the coil from being damaged by balls, lawnmowers, hail etc.

• Externally Accessible Service Ports

Quick access to refrigerant system without disrupting operation.

• Access to Controls and Major Components

Easy in and out service.

• Corrosion-Resistant Drain Pan

Quickly drains away evaporator condensate.

• Service Access Panels

To all major components and the compressor. Designed to make servicing easier for the Contractor.

• Easy to Install

Electric heat strip provides up to 20 KW of heat output.

• Proven, Industry Standard Components

Easier service and availability.

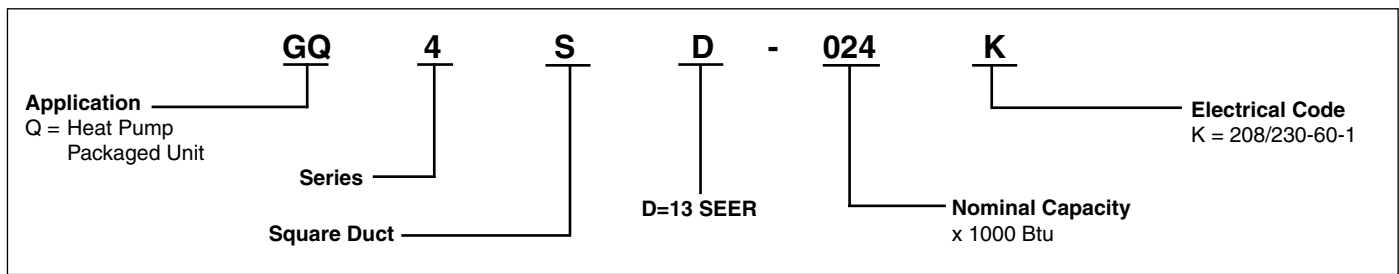
• Quiet Operation

Low vibration. 20" fan blade combined with custom venturi condenser fan.

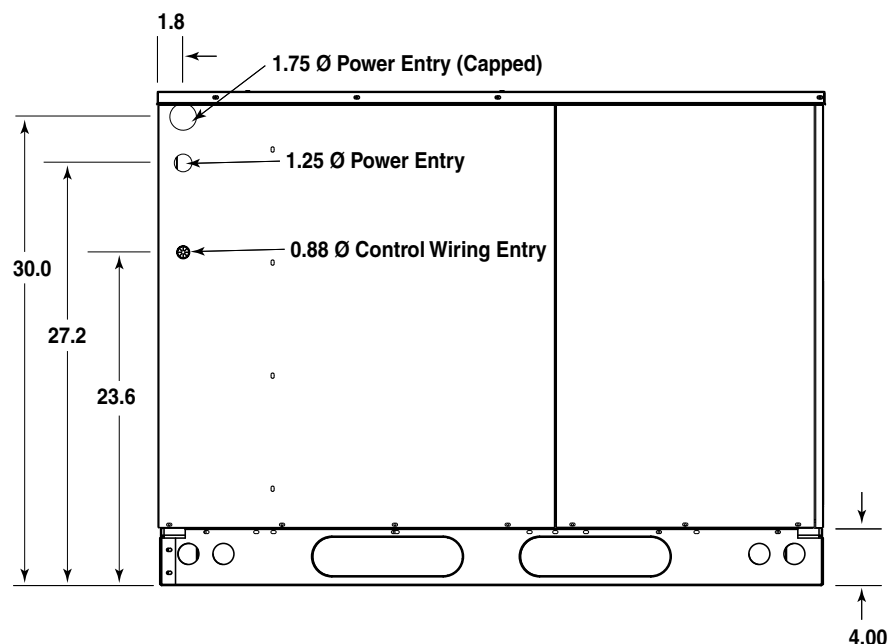
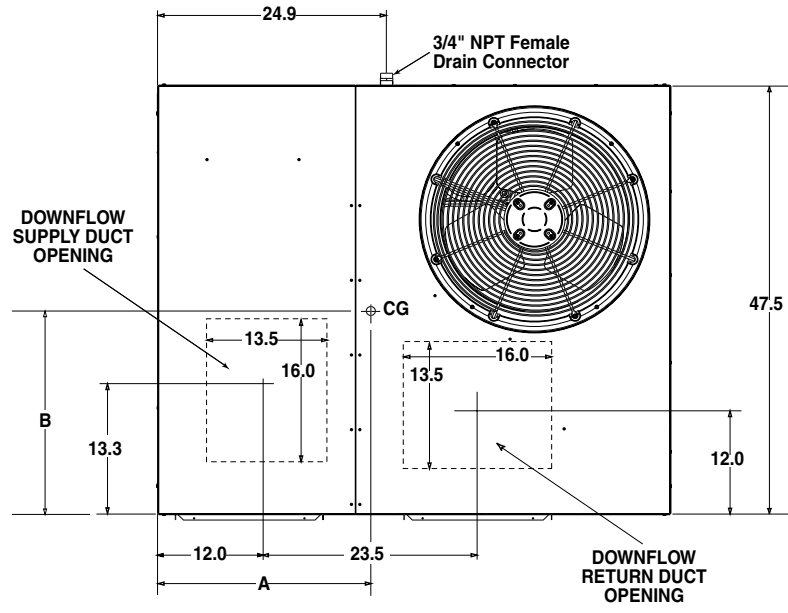
• Accessories

Roof curbs, economizers, fresh air dampers and more.

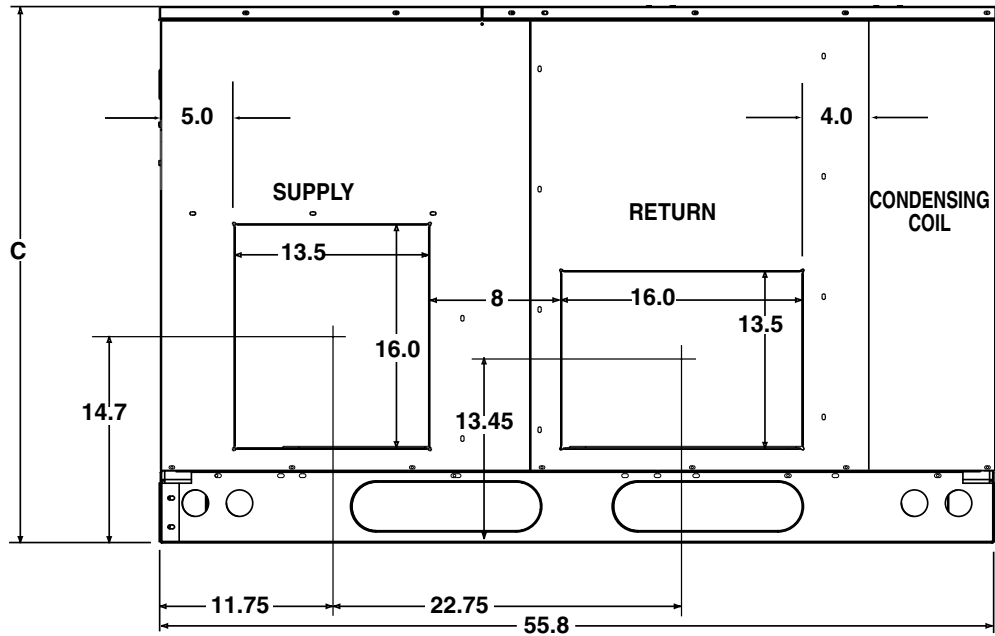
MODEL IDENTIFICATION CODE



DIMENSIONS



DIMENSIONS (Continued)



Back (Duct) View

| Model Number GQ4SD | Unit Weight | Center of Gravity | | Height (in inches) | |
|-----------------------|-------------|-------------------|------|--------------------|--------------------|
| | | A | B | C | |
| | | | | with base rails | without base rails |
| 036 | 460 | 28.0 | 25.5 | 35.0 | 35.3 |
| 048 | 570 | 29.5 | 26.0 | 43.0 | 39.3 |
| 060 | 580 | 29.5 | 26.0 | 43.0 | 39.3 |

BLOWER PERFORMANCE

| Model Number GQ4SD | Speed | External Static Pressure Drop-inches water column | | | | | | |
|-----------------------|-------|---|------|------|------|------|------|------|
| | | 0.1 | 0.2 | 0.3 | 0.4 | 0.5 | 0.6 | |
| 036 | * * | Tap T1 | 1150 | 1050 | 1000 | 950 | 850 | 780 |
| | * | Tap T2 | 1230 | 1190 | 1120 | 1080 | 1000 | 950 |
| | | Tap T3 | 1400 | 1350 | 1200 | 1150 | 1080 | 1030 |
| | | Tap T4 | 1600 | 1500 | 1400 | 1300 | 1200 | 1050 |
| | | Tap T5 | 1700 | 1650 | 1600 | 1565 | 1530 | 1480 |
| 048 | * | Tap T1 | 1515 | 1450 | 1380 | 1350 | 1300 | 1250 |
| | * * | Tap T2 | 1580 | 1520 | 1460 | 1400 | 1360 | 1300 |
| | | Tap T3 | 1740 | 1690 | 1650 | 1600 | 1540 | 1500 |
| | | Tap T4 | 1960 | 1910 | 1840 | 1820 | 1780 | 1740 |
| | | Tap T5 | 2090 | 2050 | 2010 | 1975 | 1940 | 1900 |
| 060 | * * | Tap T1 | 1515 | 1450 | 1380 | 1350 | 1300 | 1250 |
| | | Tap T2 | 1580 | 1520 | 1460 | 1400 | 1360 | 1300 |
| | * | Tap T3 | 1740 | 1690 | 1650 | 1600 | 1540 | 1500 |
| | | Tap T4 | 1960 | 1910 | 1840 | 1820 | 1780 | 1740 |
| | | Tap T5 | 2090 | 2050 | 2010 | 1975 | 1940 | 1900 |

* Denotes factory set cooling and heat pump speed

** Denotes factory set electric heating speed

HEAT PUMP ELECTRICAL DATA

| Model Number | Heater Installed Nom. KW | Single Supply Circuit Option | | | | | | Multiple Supply Circuit Option | | | | | | | | | | | | | | | | | |
|--------------|--------------------------|------------------------------|---------------------------|---------------------------|-----------------------------|----------------------|---------------------------|--------------------------------|---------------------------|----------------------|---------------------------|-----------------------------|---------------------------|----------------------|---------------------------|---------------------------|---------------------------|----------------------|---------------------------|---------------------------|---------------------------|------------------------------|------------------------------|------------------------------|----|
| | | Circuit A (Compressor & Fan) | | | Circuit B (Blower & Heater) | | | Circuit A (Compressor & Fan) | | | | Circuit B (Blower & Heater) | | | | Circuit C (Heater Only) | | | | | | | | | |
| | | Minimum Circuit Amp. | Rec Wire Gauge (60° C Cu) | Rec Wire Gauge (75° C Cu) | Rec Wire Gauge (90° C Cu) | Minimum Circuit Amp. | Rec Wire Gauge (60° C Cu) | Rec Wire Gauge (75° C Cu) | Rec Wire Gauge (90° C Cu) | Minimum Circuit Amp. | Rec Wire Gauge (60° C Cu) | Rec Wire Gauge (75° C Cu) | Rec Wire Gauge (90° C Cu) | Minimum Circuit Amp. | Rec Wire Gauge (60° C Cu) | Rec Wire Gauge (75° C Cu) | Rec Wire Gauge (90° C Cu) | Minimum Circuit Amp. | Rec Wire Gauge (60° C Cu) | Rec Wire Gauge (75° C Cu) | Rec Wire Gauge (90° C Cu) | Maximum Over-current Rating* | Maximum Over-current Rating* | Maximum Over-current Rating* | |
| GQ4SD-X36K | 0 | 27.9 | 10 | 10 | 10 | 45 | - | - | - | - | - | - | - | - | - | - | - | - | - | - | - | - | - | - | - |
| | 5 | 52.9 | 6 | 6 | 8 | 60 | 23.6 | 10 | 10 | 10 | 40 | 29.3 | 10 | 10 | 10 | 30 | - | - | - | - | - | - | - | - | - |
| | 8 | 67.5 | 4 | 4 | 6 | 70 | 23.6 | 10 | 10 | 10 | 40 | 43.7 | 6 | 8 | 8 | 45 | - | - | - | - | - | - | - | - | - |
| | 10 | 77.9 | 3 | 4 | 4 | 80 | 23.6 | 10 | 10 | 10 | 40 | 54.3 | 6 | 6 | 8 | 60 | - | - | - | - | - | - | - | - | - |
| | 15 | 102.9 | 1 | 2 | 3 | 110 | 23.6 | 10 | 10 | 10 | 40 | 54.3 | 6 | 6 | 8 | 60 | 25 | 10 | 10 | 10 | 10 | 10 | 10 | 30 | 30 |
| | 20 | 127.9 | 00 | 1 | 2 | 150 | 23.6 | 10 | 10 | 10 | 40 | 54.3 | 6 | 6 | 8 | 60 | 50 | 6 | 8 | 8 | 8 | 8 | 60 | 60 | 60 |
| GQ4SD-X48K | 0 | 36.7 | 8 | 8 | 8 | 60 | - | - | - | - | - | - | - | - | - | - | - | - | - | - | - | - | - | - | - |
| | 5 | 61.7 | 4 | 6 | 6 | 80 | 30.7 | 8 | 8 | 8 | 50 | 31.2 | 8 | 8 | 8 | 35 | - | - | - | - | - | - | - | - | - |
| | 8 | 76.3 | 3 | 4 | 4 | 90 | 30.7 | 8 | 8 | 8 | 50 | 45.6 | 6 | 8 | 8 | 50 | - | - | - | - | - | - | - | - | - |
| | 10 | 86.7 | 2 | 3 | 4 | 100 | 30.7 | 8 | 8 | 8 | 50 | 56.8 | 4 | 6 | 6 | 60 | - | - | - | - | - | - | - | - | - |
| | 15 | 111.7 | 0 | 2 | 2 | 125 | 30.7 | 8 | 8 | 8 | 50 | 56.8 | 4 | 6 | 6 | 60 | 25 | 10 | 10 | 10 | 10 | 10 | 30 | 30 | |
| | 20 | 136.7 | 00 | 0 | 1 | 150 | 30.7 | 8 | 8 | 8 | 50 | 56.8 | 4 | 6 | 6 | 60 | 50 | 6 | 8 | 8 | 8 | 8 | 60 | 60 | 60 |
| GQ4SD-X60K | 0 | 42.5 | 6 | 8 | 8 | 70 | - | - | - | - | - | - | - | - | - | - | - | - | - | - | - | - | - | - | - |
| | 5 | 67.5 | 4 | 4 | 6 | 90 | 36.5 | 8 | 8 | 8 | 60 | 31.8 | 8 | 8 | 8 | 35 | - | - | - | - | - | - | - | - | - |
| | 8 | 82.1 | 3 | 4 | 4 | 100 | 36.5 | 8 | 8 | 8 | 60 | 46.4 | 6 | 8 | 8 | 50 | - | - | - | - | - | - | - | - | - |
| | 10 | 92.5 | 2 | 3 | 4 | 110 | 36.5 | 8 | 8 | 8 | 60 | 56.8 | 4 | 6 | 8 | 60 | - | - | - | - | - | - | - | - | - |
| | 15 | 117.5 | 0 | 1 | 2 | 125 | 36.5 | 8 | 8 | 8 | 60 | 56.8 | 4 | 6 | 6 | 60 | 25 | 10 | 10 | 10 | 10 | 10 | 30 | 30 | |
| | 20 | 142.5 | 00 | 0 | 1 | 150 | 36.5 | 8 | 8 | 8 | 60 | 56.8 | 4 | 6 | 6 | 60 | 50 | 6 | 8 | 8 | 8 | 8 | 60 | 60 | 60 |

*When overcurrent rating exceeds 60, internal circuit breakers must be installed in addition to branch circuit protection at distribution panel.

SPECIFICATIONS

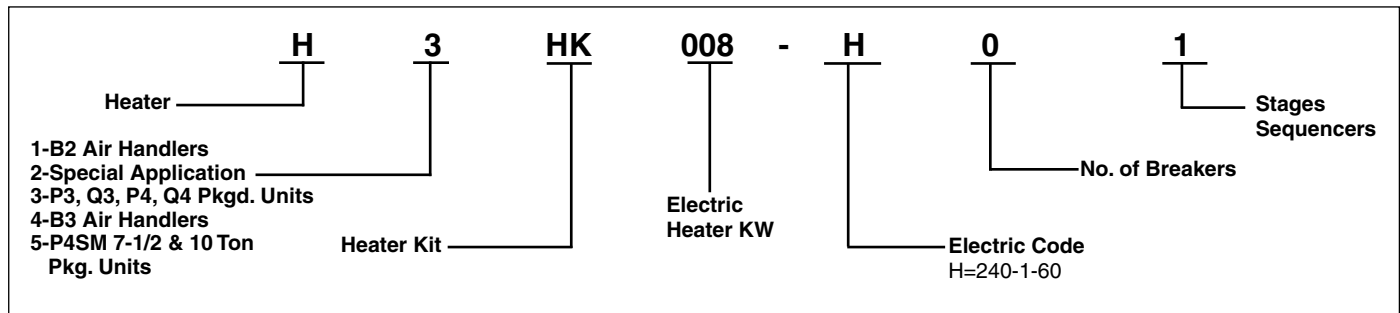
| Model Number | GQ4SD | | |
|-----------------------------------|--------------|--------------|--------------|
| | 036 | 048 | 060 |
| Performance | | | |
| Capacity - Heating BTUH | 33,500 | 45,000 | 51,000 |
| Efficiency - HSPF | 7.7 | 7.7 | 7.7 |
| Capacity - Cooling BTUH | 34,800 | 46,000 | 55,500 |
| Efficiency - SEER | 13.00 | 13.00 | 13.00 |
| EER (Btuh/watt) | 11.0 | 11.0 | 11.0 |
| Electric Rating - 60Hz (a) | | | |
| Phase | 1 | 1 | 1 |
| Operating Voltage Range | 187-253 | 187-253 | 187-253 |
| Min. Circuit Ampacity (a) | 27.7 | 36.7 | 42.5 |
| Field Wire Size - AWG (a) | 10 | 8 | 6 |
| Total Unit - Amps | 23.2 | 30.8 | 35.5 |
| Compressor Data | | | |
| Volts | 208-230 | 208-230 | 208-230 |
| Rated Load Amps | 17.9 | 23.6 | 28.0 |
| Lock Rotor Amps | 88 | 137 | 169 |
| Indoor Blower | | | |
| Type | Fixed Torque | Fixed Torque | Fixed Torque |
| Motor HP-RPM Range | 1/2-1100 | 3/4-1400 | 3/4-1600 |
| Motor - Amps | 4.1 | 6.0 | 6.0 |
| Outdoor Fan | | | |
| Motor - HP / RPM | 1/4 - 1100 | 1/4 - 1100 | 1/3 - 1000 |
| Motor - Amps | 1.2 | 1.2 | 1.5 |
| Fan Diameter / CFM | 20 / 3800 | 20 / 3800 | 20 / 4000 |
| Refrigerant Charge - Oz. | 127 | 293 | 224 |
| Net Weight lbs. | 460 | 570 | 580 |
| Shipping weight lbs. | 470 | 580 | 590 |

HEATER APPLICATION MATRIX

| Model Number | H3HK-005H-01 | H3HK-008H-01 | H3HK-010H-01 | H3HK-015H-01 | H3HK-020H-01 | H3HK-015H-21 | H3HK-020H-21 |
|--------------|--------------|--------------|--------------|--------------|--------------|--------------|--------------|
| | 917166 | 917167 | 917168 | 917169 | 917170 | 917172 | 917173 |
| GQ4S()-036K | X | X | X(2) | X(2) | NA | X | NA |
| GQ4S()-048K | X(2) | X(2) | X(2) | X(3) | X(3) | X(1) | X(1) |
| GQ4S()-060K | X(2) | X(2) | X(2) | X(3) | X(3) | X(1) | X(1) |

NA = Not Applicable
 () = Number of internal circuit breaker kits required.

MODEL IDENTIFICATION CODE



GQ4 ACCESSORIES

| Description | Part Number |
|---|-------------|
| Roof Curb (8") | 547830 |
| Roof Curb (14") | 547831 |
| Roof Curb (18") | 547850 |
| Filter Rack, All Downflow Applications (not required with economizer) | 547885 |
| Filter Kit (not required with economizer) R4GA 024 - 042, R4GC 024, P4SA 036 | 547886 |
| Filter Kit (not required with economizer) P4SA 048, P4SC 036, Q4SA 036 | 547887 |
| Filter Kit (not required with economizer) R4GA 048 - 060, R4GC 030 - 042, P4SA 060, P4SC 048 - 060, Q4SA 048 - 060, Q4SC 036 | 547888 |
| Filter Kit (not required with economizer) R4GC 048 - 060, Q4SC 048 - 060 | 547889 |
| Universal Hard Start Kit | 912933 |
| Low Pressure Switch Kit | 913551 |
| High Pressure Switch Kit | 913550 |
| Low Ambient Kit | 913549A |
| P-Trap Kit | 913810 |
| U.S. LP Gas Conversion Kit (0 ft to 10,000 ft above sea level) | 904090A |
| Canadian LP Gas Conversion Kit (0 to 4,500 ft above sea level) | 904091A |
| Outdoor Thermostat Kit | 913852 |



CERTIFICATION
APPLIES ONLY
WHEN THE COMPLETE
SYSTEM IS LISTED
WITH ARI

We Encourage
Professionalism



Through Technician
Certification by NATE