



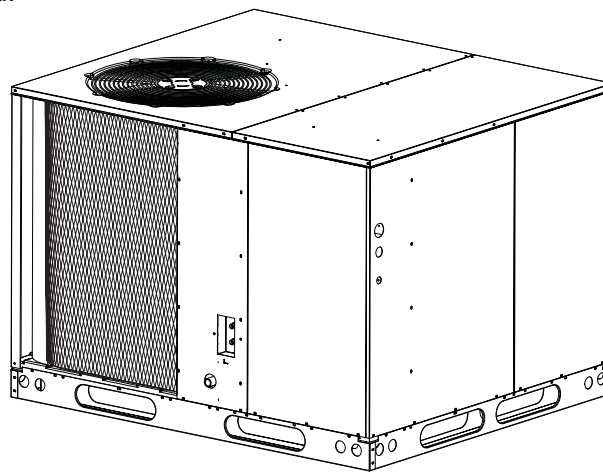
GQ6SD Series

Single Packaged Heat Pump

13 SEER, R-410A

2 - 5 Ton Units

The GQ6 Series single packaged units are high efficiency self contained cooling and heating units that can be installed on a roof or on a slab. The convertible unit design makes installations simple in all applications. Units are ETL and ETLc listed.



FEATURES and BENEFITS

- **Warranty**

- This product offers a 10-year all-parts warranty.
- This product offers a 1 Year Quality Pledge to replace the unit if the compressor fails in the first year of operation, to the original owner. All split system products must be installed with a matched indoor air handler or indoor coil.
- Consumer product registration required for 10 year All Parts Warranty and Quality Pledge within a limited period of time after the installation. See current warranty document or visit our consumer web site listed on the back of this document for warranty details.

- **Compact Footprint/Low Profile**

Easy to handle and transport.

- **Heavy-Gauge, Full Perimeter Base Rails**

Facilitates forklift handling and curb mounting.

- **Convertible Air Delivery**

Horizontal or downflow to accommodate rooftop or horizontal application.

- **Galvanized Steel Cabinet**

with polyurethane finish provides 950 hour salt spray protection.

- **Plastic Mesh Hail Guard**

Will never rust and protect the coil from being damaged by balls, lawnmowers, hail etc.

- **Externally Accessible Service Ports**

Quick access to refrigerant system without disrupting operation.

- **Access to Controls and Major Components**

Easy in and out service.

- **R-410A Refrigerant**

Environmentally friendly.

- **Corrosion-Resistant Drain Pan**

Quickly drains away evaporator condensate.

- **Service Access Panels**

To all major components and the compressor. Designed to make servicing easier for the Contractor.

- **Easy to Install**

Electric heat strip provides up to 20 KW of heat output.

- **Proven, Industry Standard Components**

Easier service and availability.

- **Quiet Operation**

Low vibration. 20" fan blade combined with custom venturi condenser fan.

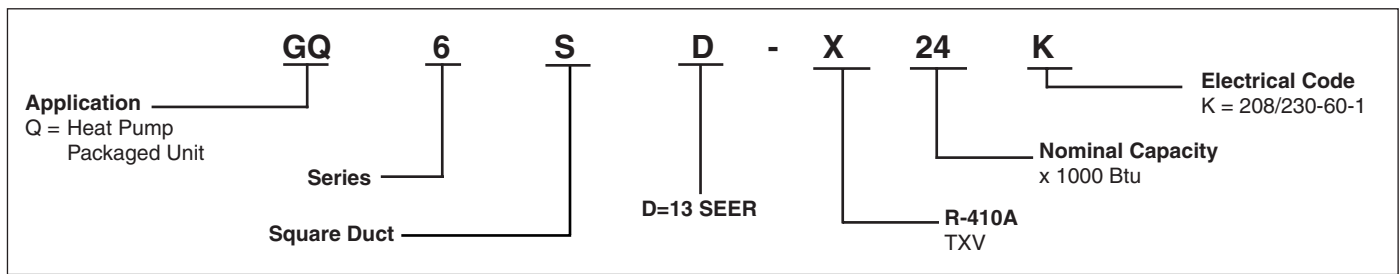
- **Accessories**

Roof curbs, economizers, fresh air dampers and more.

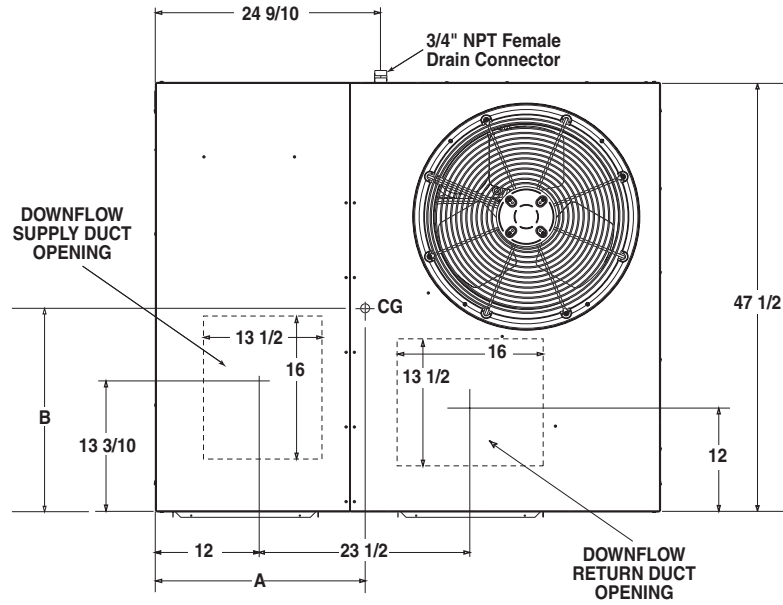
- **High Pressure Switch**

Added compressor protection.

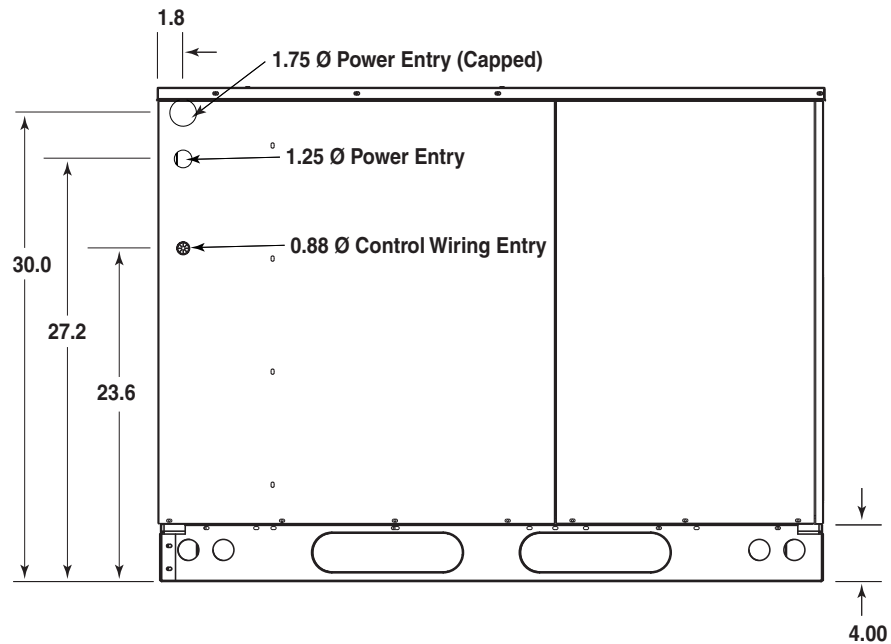
MODEL IDENTIFICATION CODE



DIMENSIONS

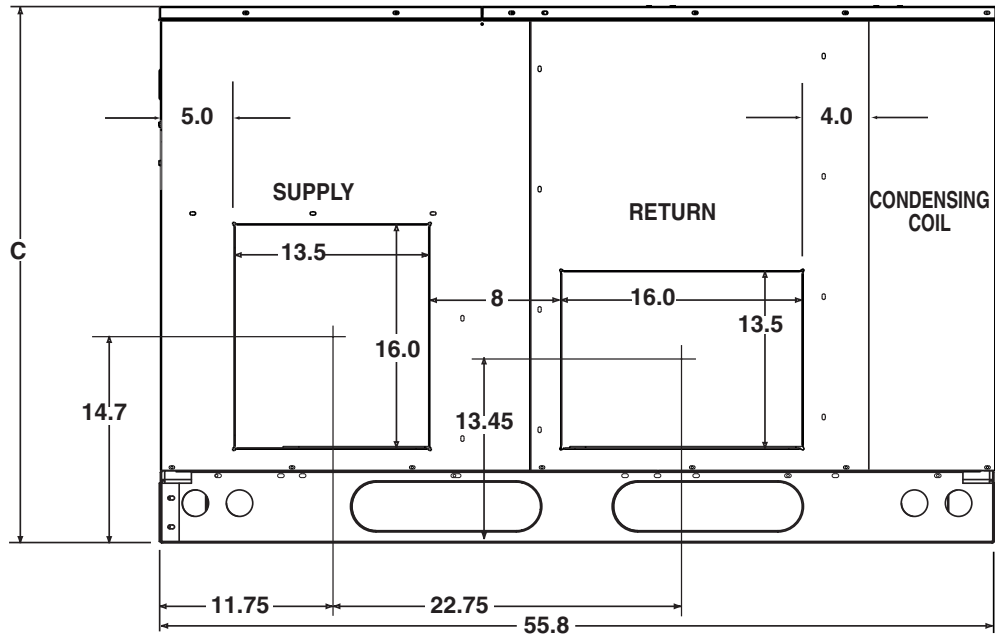


Top View



Side View

DIMENSIONS (Continued)



Back (Duct) View

Model Number GQ6SD	Unit Weight	Center of Gravity		Height (in inches)	
		A	B	C	
				with base rails	without base rails
X24	440	28.0	25.5	39.0	35.3
X30	450	28.0	26.0	39.0	35.3
X36	460	28.0	25.5	39.0	35.3
X42	560	29.5	26.0	43.0	39.3
X48	570	29.5	26.0	43.0	39.3
X60	580	29.5	26.0	43.0	39.3

BLOWER PERFORMANCE

Model number		External Static Pressure Drop - inches water column						
GQ6SD		0.1	0.2	0.3	0.4	0.5	0.6	
X24	*	Tap T1	1110	869	529	-	-	-
	**	Tap T2	1211	996	700	609	-	-
		Tap T3	1400	1350	1200	1150	1080	1030
		Tap T4	1600	1500	1400	1300	1200	1050
		Tap T5	1700	1650	1600	1565	1530	1480
X30	**	Tap T1	1211	996	700	609	-	-
	*	Tap T2	1275	1077	940	876	807	732
		Tap T3	1400	1350	1200	1150	1080	1030
		Tap T4	1600	1500	1400	1300	1200	1050
		Tap T5	1700	1650	1600	1565	1530	1480
X36	**	Tap T1	1150	1050	1000	950	850	780
		Tap T2	1230	1190	1120	1080	1000	950
	*	Tap T3	1464	1394	1332	1272	1216	1143
		Tap T4	1600	1500	1400	1300	1200	1050
		Tap T5	1700	1650	1600	1565	1530	1480
X42	**	Tap T1	1150	1050	1000	950	850	780
		Tap T2	1230	1190	1120	1080	1000	950
		Tap T3	1400	1350	1200	1150	1080	1030
	*	Tap T4	1524	1476	1424	1379	1329	1268
		Tap T5	1700	1650	1600	1565	1530	1480
X48	*	Tap T1	1515	1450	1380	1350	1300	1250
	**	Tap T2	1580	1520	1460	1400	1360	1300
		Tap T3	1740	1690	1650	1600	1540	1500
		Tap T4	1960	1910	1840	1820	1780	1740
		Tap T5	2090	2050	2010	1975	1940	1900
X60		Tap T1	1515	1450	1380	1350	1300	1250
	**	Tap T2	1580	1520	1460	1400	1360	1300
	*	Tap T3	1740	1690	1650	1600	1540	1500
		Tap T4	1960	1910	1840	1820	1780	1740
		Tap T5	2090	2050	2010	1975	1940	1900

* Denotes factory set cooling speed

** Denotes factory set electric heating speed

Note: Airflow performance is with a dry coil

HEAT PUMP ELECTRICAL DATA

Model Number	Heater Installed Nom. KW	Single Supply Circuit Option					Multiple Supply Circuit Option														
							Circuit A (Compressor & Fan)					Circuit B (Blower & Heater)					Circuit C (Heater Only)				
		Minimum Circuit Amp.	Rec. Wire Gage (60°C Cu)	Rec. Wire Gage (75°C Cu)	Rec. Wire Gage (90°C Cu)	Maximum Over-current Rating *	Minimum Circuit Amp.	Rec. Wire Gage (60°C Cu)	Rec. Wire Gage (75°C Cu)	Rec. Wire Gage (90°C Cu)	Maximum Over-current Rating *	Minimum Circuit Amp.	Rec. Wire Gage (60°C Cu)	Rec. Wire Gage (75°C Cu)	Rec. Wire Gage (90°C Cu)	Maximum Over-current Rating *	Minimum Circuit Amp.	Rec. Wire Gage (60°C Cu)	Rec. Wire Gage (75°C Cu)	Rec. Wire Gage (90°C Cu)	Maximum Over-current Rating *
GQ6SD-X24K	0	21.1	10	10	10	30	-	-	-	-	-	-	-	-	-	-	-	-	-	-	-
	5	46.1	6	8	8	50	17.0	12	12	12	25	29.1	10	10	10	30	-	-	-	-	-
	8	60.7	4	6	6	70	17.0	12	12	12	25	43.7	6	8	8	45	-	-	-	-	-
	10	71.1	3	4	6	80	17.0	12	12	12	25	54.1	6	6	8	60	-	-	-	-	-
	15	96.1	1	3	3	100	17.0	12	12	12	25	54.1	6	6	8	60	25.0	10	10	10	30
GQ6SD-X30K	0	24.7	10	10	10	40	-	-	-	-	-	-	-	-	-	-	-	-	-	-	-
	5	49.7	6	8	8	60	20.6	10	10	10	35	29.1	10	10	10	30	-	-	-	-	-
	8	64.3	4	6	6	70	20.6	10	10	10	35	43.7	6	8	8	45	-	-	-	-	-
	10	74.7	3	4	6	80	20.6	10	10	10	35	54.1	6	6	8	60	-	-	-	-	-
	15	99.7	1	3	3	100	20.6	10	10	10	35	54.1	6	6	8	60	25.0	10	10	10	30
GQ6SD-X36K	0	28.6	10	10	10	45	-	-	-	-	-	-	-	-	-	-	-	-	-	-	-
	5	53.6	6	6	8	60	24.5	10	10	10	40	29.1	10	10	10	30	-	-	-	-	-
	8	68.1	4	4	6	70	24.5	10	10	10	40	43.7	6	8	8	45	-	-	-	-	-
	10	78.6	3	4	4	80	24.5	10	10	10	40	54.1	6	6	8	60	-	-	-	-	-
	15	103.6	1	2	3	110	24.5	10	10	10	40	54.1	6	6	8	60	25.0	10	10	10	30
GQ6SD-X42K	0	32.9	8	8	8	50	-	-	-	-	-	-	-	-	-	-	-	-	-	-	-
	5	57.9	4	6	6	70	28.8	10	10	10	50	29.1	10	10	10	30	-	-	-	-	-
	8	72.5	3	4	6	80	28.8	10	10	10	50	43.7	6	8	8	45	-	-	-	-	-
	10	82.9	3	4	4	90	28.8	10	10	10	50	54.1	6	6	8	60	-	-	-	-	-
	15	107.9	1	2	3	110	28.8	10	10	10	50	54.1	6	6	8	60	25.0	10	10	10	30
GQ6SD-X48K	0	132.9	00	0	1	150	28.8	10	10	10	50	54.1	6	6	8	60	50.0	6	8	8	60
	5	37.6	8	8	8	60	-	-	-	-	-	-	-	-	-	-	-	-	-	-	-
	8	62.6	4	6	6	80	31.6	8	8	8	50	31.0	8	8	8	35	-	-	-	-	-
	10	77.2	3	4	4	90	31.6	8	8	8	50	45.6	6	8	8	50	-	-	-	-	-
	15	87.6	2	3	4	100	31.6	8	8	8	50	56.0	4	6	6	60	-	-	-	-	-
GQ6SD-X60K	0	112.6	0	2	2	125	31.6	8	8	8	50	56.0	4	6	6	60	25.0	10	10	10	30
	5	137.6	00	0	1	150	31.6	8	8	8	50	56.0	4	6	6	60	50.0	6	8	8	60
	8	44.1	6	8	8	70	-	-	-	-	-	-	-	-	-	-	-	-	-	-	-
	10	69.1	4	4	6	90	38.1	8	8	8	60	31.0	8	8	8	35	-	-	-	-	-
	15	83.7	3	4	4	100	38.1	8	8	8	60	45.6	6	8	8	50	-	-	-	-	-
GQ6SD-X60K	0	94.1	2	3	4	110	38.1	8	8	8	60	56.0	4	6	6	60	-	-	-	-	-
	5	119.1	0	1	2	125	38.1	8	8	8	60	56.0	4	6	6	60	25.0	10	10	10	30
	8	144.1	00	0	1	150	38.1	8	8	8	60	56.0	4	6	6	60	50.0	6	8	8	60
	10	44.1	6	8	8	70	-	-	-	-	-	-	-	-	-	-	-	-	-	-	-
	15	69.1	4	4	6	90	38.1	8	8	8	60	31.0	8	8	8	35	-	-	-	-	-

*If electric heat is installed and the overcurrent rating exceeds 60A, internal circuit breakers must be installed in addition to branch circuit protection at the distribution panel.

SPECIFICATIONS

Model Number	GQ6SD					
	X24	X30	X36	X42	X48	X60
Performance						
Capacity-Heating BTUH	22,800	27,000	33,400	40,000	46,000	59,000
Efficiency-HSPF	7.7	7.7	7.7	7.7	7.7	7.7
Capacity-Cooling BTUH	23,000	27,200	35,000	42,000	46,000	58,000
Efficiency-Seer	13.3	13.3	13.5	13.5	13.3	13.0
EER (Btuh/watt)	11.0	11.5	11.8	11.5	11.2	11.0
Electric Rating-60 Hz (a)						
Phase	1	1	1	1	1	1
Operating Voltage Range	187-253	187-253	187-253	187-253	187-253	187-253
Min. Circuit Ampacity (a)	21.1	24.7	28.6	32.9	37.6	44.1
Field Wire Size - AWG (a)	10	10	10	8	8	6
Total Unit - Amps	17.9	20.8	23.9	27.4	31.5	36.8
Compressor Data						
Volts	208-230	208-230	208-230	208-230	208-230	208-230
Rated Load Amps	12.8	15.7	18.6	22.1	24.3	29.3
Lock Rotor Amps	58.3	73	79	109	117	134
Indoor Blower						
Type	Fixed Torque	Fixed Torque	Fixed Torque	Fixed Torque	Fixed Torque	Fixed Torque
Motor HP	1/2	1/2	1/2	1/2	3/4	3/4
Motor - Amps	4.1	4.1	4.1	4.1	6.0	6.0
Outdoor Fan						
Motor - HP / RPM	1/5 - 825	1/5 - 825	1/4 - 1100	1/4 - 1100	1/4 - 1100	1/3 - 1100
Motor - Amps	1.2	1.2	1.2	1.2	1.2	1.5
Fan Diameter / CFM	20 / 3600	20 / 3600	20 / 3800	20 / 3800	20 / 3800	20 / 4000
R-410A Charge - Oz	99	109	110	213	224	224
Net Weight lbs.	440	450	460	560	570	580
Shipping Weight lbs.	450	460	470	570	580	590

HEATER APPLICATION MATRIX

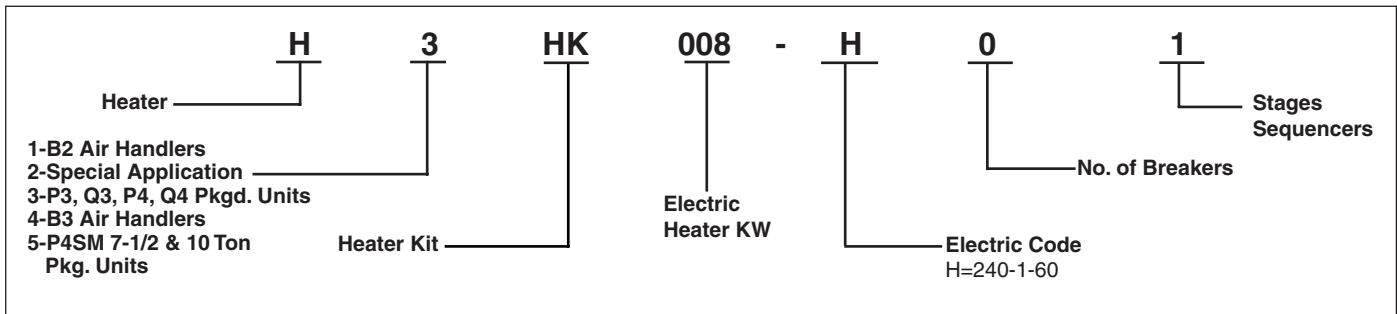
Model Number	H3HK-005H-01B	H3HK-008H-01B	H3HK-010H-01B	H3HK-015H-01B	H3HK-020H-01B	H3HK-015H-21B	H3HK-020H-21B
	917166B	917167B	917168B	917169B	917170B	917172B	917173B
GQ6SD-X24	X	X(2)	X(2)	X(2)	NA	X	NA
GQ6SD-X30	X	X(2)	X(2)	X(2)	NA	X	NA
GQ6SD-X36	X	X(2)	X(2)	X(2)	NA	X	NA
GQ6SD-X42	X	X(2)	X(2)	X(3)	X(3)	X(1)	X(1)
GQ6SD-X48	X(2)	X(2)	X(2)	X(3)	X(3)	X(1)	X(1)
GQ6SD-X60	X(2)	X(2)	X(2)	X(3)	X(3)	X(1)	X(1)

NA = Not Applicable.

() = Number of internal circuit breaker kits required.

X = Branch circuit protection only

MODEL IDENTIFICATION CODE



GQ6SD ACCESSORIES

Description	Part Number
Roof Curb (8")	547830
Roof Curb (14")	547831
Roof Curb (18")	547850
Roof Curb (24")	547851
Supply/return transition, 16"	547834
Supply/return transition, 18"	547835
Concentric diffuser, flush, 16"	547836
Concentric diffuser, flush, 18"	547837
Concentric diffuser, step down 16"	547838
Concentric diffuser, step down 18"	547839
Manual Fresh Air Damper	547832
Motorized Fresh Air Damper	547840
Economizer, downflow w/filter (does not require filter kit) modulating	547833
Economizer, horizontal modulating	547841
Economizer, downflow 3-position w/filter	547897
Power Exhaust for use with downflow economizer (special order)	547842
Power Exhaust for use with horizontal economizer (special order)	547843
HOOD TYPE HAIL GUARD 34" X 76" GQ6SDX24, GQ6SDX30, GQ6SDX36	547846
HOOD TYPE HAIL GUARD 38" X 76" GQ6SDX42, GQ6SDX48, GQ6SDX60	547847
CO2 sensors (special order)	547848
DUCT SMOKE DETECTOR PHOTO ELEC	547892
MULTI SIGNAL CONTROL	547893
SAMPLING TUBE ST3	547894
SAMPLING TUBE ST5	547895
Filter Rack, All Downflow Applications (not required with economizer)	547885
Filter Kit (not required with economizer) for Horizontal Applications GQ6SDX24, GQ6SDX30, GQ6SDX36	547888
Filter Kit (not required with economizer) GQ6SDX42, GQ6SDX48, GQ6SDX60	547889
Universal Hard Start Kit	912933
Low Ambient Kit	918837
Outdoor Thermostat Kit	913852
Skirt Trim Kit	919729
Extreme High Wind Kit	903696

EXPANDED RATINGS

COOLING

GQ6SD-X24

O.D.T			85°F			95°F			105°F			115°F		
CFM	E.D.B.	E.W.B.	T.C.	S.C.	K.W.	T.C.	S.C.	K.W.	T.C.	S.C.	K.W.	T.C.	S.C.	K.W.
650	80	62	21.8	17.7	1.70	20.8	17.8	1.90	19.8	18.3	2.13	18.7	18.0	2.38
	80	67	23.5	14.1	1.71	22.4	13.7	1.92	21.3	13.3	2.14	20.0	12.9	2.40
	80	72	25.3	11.0	1.74	24.1	10.6	1.94	22.9	10.2	2.17	21.6	9.8	2.42
	75	63	21.8	13.9	1.70	20.8	14.0	1.90	19.7	13.8	2.13	18.6	13.5	2.38
750	80	62	22.5	19.2	1.70	21.5	19.8	1.91	20.5	19.8	2.13	19.5	19.5	2.39
	80	67	24.1	15.2	1.72	23.0	14.8	1.93	21.8	14.3	2.15	20.5	13.9	2.40
	80	72	26.0	11.6	1.76	24.8	11.2	1.96	23.5	10.8	2.18	22.1	10.3	2.43
	75	63	22.4	15.5	1.70	21.4	15.4	1.91	20.3	15.1	2.13	19.1	14.7	2.39
850	80	62	23.1	21.2	1.71	22.2	21.1	1.92	21.3	21.3	2.14	20.2	20.2	2.40
	80	67	24.7	16.2	1.73	23.5	15.7	1.93	22.3	15.6	2.16	21.0	15.2	2.41
	80	72	26.5	12.1	1.77	25.3	11.7	1.97	23.9	11.3	2.19	22.5	10.9	2.43
	75	63	22.9	17.2	1.71	21.9	16.8	1.91	20.7	16.7	2.14	19.5	16.2	2.39

GQ6SD-X30

O.D.T			85°F			95°F			105°F			115°F		
CFM	E.D.B.	E.W.B.	T.C.	S.C.	K.W.	T.C.	S.C.	K.W.	T.C.	S.C.	K.W.	T.C.	S.C.	K.W.
800	80	62	25.6	20.7	2.01	24.5	20.9	2.24	23.3	21.6	2.50	22.1	21.3	2.80
	80	67	27.7	16.5	2.03	26.5	16.0	2.26	25.2	15.6	2.52	23.8	15.1	2.82
	80	72	30.3	12.7	2.05	29.0	12.4	2.28	27.5	12.0	2.54	25.8	11.6	2.84
	75	63	25.7	14.3	2.01	24.6	14.4	2.24	23.3	14.3	2.50	22.0	14.0	2.80
900	80	62	26.2	22.2	2.01	25.1	23.0	2.24	23.9	23.0	2.51	22.8	22.8	2.81
	80	67	28.3	17.4	2.03	27.1	17.0	2.26	25.7	16.5	2.52	24.3	16.1	2.82
	80	72	30.8	13.4	2.06	29.3	13.0	2.28	27.9	12.6	2.54	26.3	12.1	2.84
	75	63	26.3	15.7	2.01	25.1	15.6	2.24	23.8	15.3	2.51	22.4	14.9	2.81
1000	80	62	26.8	24.2	2.02	25.7	24.3	2.25	24.7	24.7	2.51	23.5	23.5	2.81
	80	67	28.8	18.3	2.04	27.5	17.9	2.27	26.2	17.5	2.53	24.7	17.0	2.82
	80	72	31.2	13.9	2.06	29.8	13.5	2.29	28.3	13.1	2.55	26.7	12.7	2.84
	75	63	26.8	17.2	2.02	25.5	16.8	2.25	24.2	16.4	2.51	22.8	15.9	2.81

GQ6SD-X36

O.D.T			85°F			95°F			105°F			115°F		
CFM	E.D.B.	E.W.B.	T.C.	S.C.	K.W.	T.C.	S.C.	K.W.	T.C.	S.C.	K.W.	T.C.	S.C.	K.W.
1200	hhh80	62	34.3	30.1	2.63	32.8	30.2	2.91	31.4	30.6	3.23	29.8	29.5	3.60
	80	67	36.6	24.3	2.66	34.8	23.7	2.93	33.1	23.1	3.25	31.2	22.4	3.62
	80	72	39.3	18.1	2.69	37.4	17.6	2.97	35.5	17.0	3.28	33.4	16.4	3.64
	75	63	34.1	23.8	2.63	32.5	23.9	2.91	30.8	23.7	3.23	29.0	23.3	3.59
1350	80	62	35.3	31.8	2.64	33.9	32.2	2.92	32.4	31.6	3.24	30.7	30.7	3.61
	80	67	37.2	25.9	2.66	35.5	25.3	2.94	33.6	24.7	3.26	31.7	24.0	3.62
	80	72	39.9	19.0	2.70	38.1	18.5	2.97	36.1	17.9	3.29	33.9	17.3	3.65
	75	63	34.7	26.2	2.64	33.1	26.1	2.91	31.3	25.7	3.23	29.5	25.1	3.60
1500	80	62	36.3	33.6	2.65	34.8	33.1	2.93	33.2	33.2	3.25	31.5	31.5	3.62
	80	67	37.7	27.5	2.67	36.0	26.9	2.95	34.1	26.2	3.27	32.2	25.5	3.63
	80	72	40.4	20.0	2.70	38.5	19.4	2.98	36.5	18.8	3.30	34.3	18.1	3.66
	75	63	35.2	28.8	2.64	33.6	28.3	2.92	31.8	27.7	3.24	29.9	26.9	3.60

EXPANDED RATINGS

COOLING

GQ6SD-X42

O.D.T			85°F			95°F			105°F			115°F		
CFM	E.D.B.	E.W.B.	T.C.	S.C.	K.W.	T.C.	S.C.	K.W.	T.C.	S.C.	K.W.	T.C.	S.C.	K.W.
1250	80	62	40.4	33.5	3.19	38.6	33.7	3.54	36.6	34.6	3.94	34.6	34.0	4.37
	80	67	43.4	26.8	3.21	41.3	26.1	3.57	39.1	25.7	3.96	36.9	24.9	4.40
	80	72	47.0	20.6	3.24	44.6	19.9	3.60	42.2	19.2	3.99	39.7	18.5	4.43
	75	63	40.4	26.4	3.19	38.5	26.5	3.54	36.4	26.6	3.93	34.3	26.1	4.37
1400	80	62	41.4	35.8	3.19	39.5	36.9	3.55	37.6	36.6	3.95	35.8	35.8	4.38
	80	67	44.3	28.9	3.22	42.1	28.1	3.58	39.9	27.4	3.97	37.5	26.6	4.40
	80	72	47.8	21.6	3.25	45.4	20.9	3.61	42.9	20.2	4.00	40.4	19.5	4.44
	75	63	41.3	29.5	3.19	39.3	29.2	3.55	37.1	28.8	3.94	34.9	28.1	4.38
1550	80	62	42.4	38.9	3.20	40.6	38.5	3.56	38.7	38.7	3.96	36.8	36.8	4.40
	80	67	45.0	30.5	3.23	42.8	29.8	3.58	40.5	29.0	3.98	38.1	28.2	4.41
	80	72	48.6	22.6	3.26	46.1	21.9	3.61	43.6	21.2	4.01	41.0	20.4	4.44
	75	63	42.0	32.3	3.20	39.9	31.7	3.56	37.7	31.0	3.95	35.5	30.1	4.38

GQ6SD-X48

O.D.T			85°F			95°F			105°F			115°F		
CFM	E.D.B.	E.W.B.	T.C.	S.C.	K.W.	T.C.	S.C.	K.W.	T.C.	S.C.	K.W.	T.C.	S.C.	K.W.
1350	80	62	45.0	37.4	3.71	43.0	37.6	4.11	40.9	38.7	4.54	38.7	38.1	5.02
	80	67	48.7	30.4	3.75	46.2	29.6	4.15	43.9	28.8	4.59	41.5	28.0	5.07
	80	72	52.9	22.9	3.79	50.3	22.2	4.20	47.7	21.5	4.64	45.0	20.7	5.13
	75	63	45.3	29.9	3.72	43.1	30.0	4.11	40.9	29.8	4.54	38.6	29.3	5.02
1500	80	62	46.0	39.7	3.78	43.8	40.9	4.18	41.8	40.7	4.62	39.8	39.8	5.10
	80	67	49.3	32.1	3.81	46.9	31.3	4.22	44.5	30.5	4.66	42.0	29.6	5.14
	80	72	53.5	24.0	3.86	50.8	23.2	4.27	48.1	22.5	4.71	45.4	21.8	5.20
	75	63	45.9	32.7	3.78	43.7	32.5	4.18	41.4	32.0	4.61	39.1	31.4	5.09
1650	80	62	46.7	42.9	3.85	44.8	42.5	4.26	42.8	42.8	4.69	40.7	40.7	5.18
	80	67	49.8	33.8	3.88	47.4	32.9	4.29	44.9	32.1	4.73	42.4	31.3	5.21
	80	72	53.9	25.0	3.93	51.2	24.3	4.34	48.5	23.5	4.78	45.8	22.8	5.27
	75	63	46.5	35.7	3.85	44.2	35.1	4.25	41.8	34.3	4.68	39.4	33.4	5.15

GQ6SD-X60

O.D.T			85°F			95°F			105°F			115°F		
CFM	E.D.B.	E.W.B.	T.C.	S.C.	K.W.	T.C.	S.C.	K.W.	T.C.	S.C.	K.W.	T.C.	S.C.	K.W.
1550	80	62	56.0	45.2	4.71	53.6	45.6	5.15	51.1	47.0	5.65	48.5	46.5	6.23
	80	67	60.5	36.9	4.79	57.7	35.9	5.23	54.9	35.0	5.74	52.0	34.0	6.31
	80	72	65.8	28.2	4.90	62.8	27.3	5.34	59.6	26.5	5.84	56.3	25.6	6.41
	75	63	56.4	36.3	4.72	53.8	36.6	5.15	51.2	36.4	5.66	48.5	35.8	6.23
1700	80	62	57.2	47.9	4.73	54.7	49.6	5.17	52.1	49.7	5.68	49.6	49.5	6.25
	80	67	61.4	38.7	4.81	58.7	37.8	5.26	55.8	36.8	5.75	52.8	35.8	6.33
	80	72	66.6	29.4	4.92	63.4	28.6	5.35	60.1	27.7	5.85	56.8	26.7	6.42
	75	63	57.3	39.7	4.73	54.8	39.5	5.17	52.1	38.9	5.67	49.3	38.2	6.25
1850	80	62	58.2	51.9	4.75	55.7	52.1	5.19	53.3	53.2	5.70	50.8	50.8	6.28
	80	67	62.3	40.6	4.83	59.5	39.7	5.28	56.6	38.7	5.77	53.5	37.7	6.34
	80	72	67.1	30.6	4.93	64.0	29.7	5.37	60.9	28.8	5.87	57.5	27.8	6.44
	75	63	58.2	43.3	4.75	55.6	42.6	5.19	52.8	41.6	5.69	49.9	40.6	6.26

EXPANDED RATINGS

HEATING

GQ6SD-X24

		OUTDOOR TEMPERATURE (Deg. F)																							
CFM	Indoor T. Deg.F	10			17			20			30			40			47			50			60		
		MBH	COP	kW	MBH	COP	kW	MBH	COP	kW	MBH	COP	kW	MBH	COP	kW	MBH	COP	kW	MBH	COP	kW	MBH	COP	kW
600	60	9.41	1.84	1.50	12.19	2.31	1.55	13.38	2.51	1.57	17.35	3.12	1.63	21.33	3.69	1.70	24.11	4.06	1.74	25.30	4.21	1.76	29.27	4.70	1.83
	70	8.88	1.80	1.45	11.49	2.23	1.51	12.61	2.40	1.54	16.33	2.94	1.63	20.05	3.42	1.72	22.66	3.72	1.79	23.77	3.85	1.81	27.50	4.23	1.90
	80	8.28	1.72	1.41	10.72	2.12	1.49	11.77	2.27	1.52	15.25	2.76	1.62	18.74	3.18	1.73	21.18	3.45	1.80	22.22	3.56	1.83	25.71	3.89	1.94
750	60	9.50	1.78	1.56	12.35	2.25	1.61	13.57	2.45	1.63	17.63	3.06	1.69	21.70	3.64	1.75	24.54	4.01	1.79	25.76	4.17	1.81	29.82	4.67	1.87
	70	9.04	1.74	1.52	11.70	2.17	1.58	12.84	2.34	1.61	16.64	2.88	1.69	20.44	3.37	1.78	23.10	3.68	1.84	24.24	3.81	1.87	28.04	4.21	1.95
	80	8.45	1.68	1.48	10.95	2.07	1.55	12.02	2.23	1.58	15.60	2.71	1.69	19.18	3.13	1.79	21.68	3.40	1.87	22.75	3.51	1.90	26.33	3.85	2.00
900	60	9.73	1.76	1.62	12.61	2.22	1.66	13.84	2.41	1.68	17.95	3.03	1.74	22.06	3.60	1.80	24.93	3.98	1.83	26.16	4.14	1.85	30.27	4.65	1.91
	70	9.19	1.71	1.57	11.91	2.14	1.63	13.07	2.31	1.66	16.95	2.85	1.74	20.83	3.34	1.83	23.55	3.66	1.89	24.71	3.79	1.91	28.59	4.20	2.00
	80	8.64	1.64	1.54	11.17	2.03	1.61	12.25	2.18	1.64	15.87	2.66	1.75	19.49	3.08	1.85	22.02	3.35	1.93	23.11	3.46	1.96	26.72	3.80	2.06

GQ6SD-X30

		OUTDOOR TEMPERATURE (Deg. F)																							
CFM	Indoor T. Deg.F	10			17			20			30			40			47			50			60		
		MBH	COP	kW	MBH	COP	kW	MBH	COP	kW	MBH	COP	kW	MBH	COP	kW	MBH	COP	kW	MBH	COP	kW	MBH	COP	kW
800	60	11.8	2.04	1.70	14.9	2.51	1.74	16.3	2.70	1.76	20.7	3.31	1.83	25.2	3.88	1.90	28.3	4.26	1.95	29.6	4.41	1.97	34.1	4.91	2.04
	70	11.2	1.97	1.67	14.2	2.40	1.74	15.4	2.57	1.76	19.7	3.11	1.86	23.9	3.60	1.95	26.9	3.92	2.01	28.1	4.04	2.04	32.3	4.45	2.13
	80	10.6	1.87	1.67	13.4	2.26	1.74	14.6	2.42	1.77	18.6	2.91	1.87	22.6	3.35	1.98	25.4	3.63	2.05	26.6	3.74	2.08	30.6	4.10	2.19
950	60	11.9	1.99	1.75	15.1	2.46	1.80	16.5	2.65	1.82	21.0	3.27	1.88	25.6	3.85	1.95	28.7	4.23	1.99	30.1	4.38	2.01	34.7	4.89	2.08
	70	11.4	1.92	1.74	14.4	2.35	1.80	15.7	2.52	1.83	20.0	3.06	1.91	24.3	3.56	2.00	27.3	3.89	2.06	28.6	4.02	2.09	32.9	4.44	2.17
	80	10.8	1.83	1.73	13.7	2.22	1.80	14.9	2.38	1.83	19.0	2.87	1.94	23.0	3.31	2.04	25.9	3.60	2.11	27.1	3.71	2.14	31.2	4.08	2.24
1100	60	12.1	1.96	1.81	15.3	2.42	1.85	16.7	2.62	1.87	21.3	3.23	1.93	25.9	3.81	1.99	29.1	4.20	2.03	30.5	4.36	2.05	35.1	4.88	2.11
	70	11.6	1.89	1.79	14.6	2.32	1.85	15.9	2.49	1.88	20.3	3.04	1.96	24.7	3.54	2.05	27.8	3.87	2.10	29.1	4.00	2.13	33.4	4.43	2.21
	80	11.0	1.80	1.79	13.9	2.19	1.86	15.1	2.34	1.89	19.2	2.83	1.99	23.4	3.27	2.09	26.2	3.56	2.16	27.5	3.67	2.19	31.6	4.04	2.29

GQ6SDX36

		OUTDOOR TEMPERATURE (Deg. F)																							
CFM	Indoor T. Deg.F	10			17			20			30			40			47			50			60		
		MBH	COP	kW	MBH	COP	kW	MBH	COP	kW	MBH	COP	kW	MBH	COP	kW	MBH	COP	kW	MBH	COP	kW	MBH	COP	kW
1200	60	14.5	1.99	2.14	18.3	2.42	2.21	19.9	2.60	2.24	25.3	3.16	2.35	30.7	3.68	2.45	34.5	4.01	2.52	36.1	4.15	2.55	41.5	4.58	2.66
	70	13.8	1.86	2.18	17.5	2.26	2.27	19.0	2.42	2.30	24.2	2.93	2.43	29.4	3.38	2.55	33.1	3.68	2.64	34.6	3.80	2.67	39.8	4.17	2.80
	80	13.3	1.73	2.25	16.7	2.10	2.34	18.2	2.25	2.38	23.2	2.70	2.52	28.2	3.11	2.65	31.6	3.38	2.75	33.1	3.49	2.79	38.1	3.82	2.92
1350	60	14.6	1.95	2.19	18.4	2.40	2.26	20.1	2.58	2.29	25.6	3.15	2.39	31.1	3.67	2.49	35.0	4.01	2.55	36.6	4.16	2.58	42.1	4.60	2.68
	70	14.0	1.84	2.24	17.7	2.24	2.32	19.3	2.40	2.36	24.6	2.91	2.47	29.8	3.38	2.59	33.5	3.68	2.67	35.1	3.80	2.71	40.4	4.19	2.82
	80	13.4	1.71	2.30	17.0	2.08	2.39	18.5	2.23	2.43	23.5	2.69	2.56	28.6	3.11	2.69	32.1	3.39	2.78	33.6	3.50	2.82	38.7	3.84	2.95
1500	60	14.7	1.93	2.24	18.6	2.37	2.31	20.3	2.55	2.33	25.9	3.13	2.43	31.5	3.66	2.52	35.4	4.01	2.59	37.1	4.15	2.62	42.6	4.61	2.71
	70	14.2	1.82	2.29	17.9	2.22	2.37	19.5	2.39	2.40	24.9	2.90	2.51	30.2	3.38	2.62	34.0	3.68	2.70	35.6	3.81	2.74	40.9	4.21	2.85
	80	13.6	1.70	2.35	17.2	2.07	2.44	18.7	2.21	2.48	23.8	2.68	2.60	28.9	3.11	2.73	32.5	3.38	2.82	34.0	3.49	2.86	39.1	3.84	2.98

EXPANDED RATINGS Continued

HEATING

GQ6SD-X42

		OUTDOOR TEMPERATURE (Deg. F)																							
CFM	Indoor T. Deg.F	10			17			20			30			40			47			50			60		
		MBH	COP	kW	MBH	COP	kW	MBH	COP	kW	MBH	COP	kW	MBH	COP	kW	MBH	COP	kW	MBH	COP	kW	MBH	COP	kW
1250	60	18.08	2.02	2.63	22.49	2.45	2.69	24.37	2.63	2.72	30.67	3.20	2.81	36.96	3.74	2.90	41.36	4.09	2.96	43.25	4.24	2.99	49.54	4.72	3.08
	70	17.38	1.85	2.75	21.64	2.25	2.82	23.47	2.42	2.85	29.56	2.94	2.95	35.65	3.43	3.05	39.91	3.75	3.12	41.74	3.89	3.15	47.83	4.32	3.25
	80	16.82	1.71	2.89	20.93	2.07	2.96	22.69	2.22	2.99	28.55	2.70	3.10	34.42	3.15	3.20	38.52	3.45	3.28	40.28	3.57	3.31	46.15	3.96	3.42
1400	60	18.22	2.00	2.67	22.69	2.44	2.73	24.61	2.62	2.76	30.99	3.20	2.84	37.38	3.75	2.93	41.85	4.11	2.99	43.76	4.26	3.01	50.15	4.75	3.10
	70	17.58	1.85	2.79	21.89	2.25	2.86	23.74	2.41	2.89	29.90	2.94	2.98	36.06	3.44	3.07	40.38	3.77	3.14	42.22	3.91	3.17	48.38	4.35	3.26
	80	16.97	1.70	2.93	21.14	2.07	3.00	22.93	2.22	3.03	28.89	2.71	3.13	34.85	3.16	3.23	39.02	3.47	3.30	40.81	3.59	3.33	46.76	4.00	3.43
1550	60	18.32	1.98	2.71	22.85	2.42	2.77	24.79	2.60	2.80	31.26	3.19	2.88	37.74	3.74	2.96	42.27	4.11	3.02	44.21	4.27	3.04	50.68	4.76	3.12
	70	17.79	1.84	2.84	22.15	2.24	2.90	24.02	2.41	2.92	30.24	2.94	3.01	36.47	3.45	3.10	40.83	3.78	3.16	42.69	3.92	3.19	48.92	4.37	3.28
	80	17.18	1.69	2.98	21.38	2.06	3.04	23.18	2.21	3.07	29.18	2.70	3.16	35.19	3.17	3.26	39.39	3.47	3.32	41.19	3.60	3.35	47.19	4.01	3.45

GQ6SD-X48

		OUTDOOR TEMPERATURE (Deg. F)																							
CFM	Indoor T. Deg.F	10			17			20			30			40			47			50			60		
		MBH	COP	kW	MBH	COP	kW	MBH	COP	kW	MBH	COP	kW	MBH	COP	kW	MBH	COP	kW	MBH	COP	kW	MBH	COP	kW
1350	60	19.31	2.12	2.67	24.61	2.55	2.83	26.89	2.72	2.89	34.46	3.24	3.12	42.03	3.70	3.34	47.34	3.98	3.49	49.61	4.09	3.56	57.18	4.44	3.78
	70	18.57	1.94	2.81	23.74	2.34	2.97	25.95	2.50	3.05	33.33	2.98	3.29	40.72	3.39	3.53	45.89	3.64	3.69	48.10	3.75	3.77	55.48	4.06	4.00
	80	18.02	1.79	2.96	23.04	2.15	3.14	25.19	2.30	3.22	32.35	2.73	3.48	39.52	3.10	3.74	44.53	3.33	3.92	46.68	3.43	3.99	53.85	3.71	4.25
1500	60	19.46	2.10	2.72	24.83	2.54	2.87	27.13	2.72	2.93	34.80	3.25	3.14	42.47	3.72	3.35	47.84	4.01	3.50	50.14	4.13	3.56	57.81	4.49	3.78
	70	18.78	1.93	2.85	24.00	2.34	3.01	26.24	2.50	3.08	33.69	2.99	3.31	41.14	3.41	3.54	46.36	3.67	3.70	48.60	3.78	3.77	56.05	4.11	4.00
	80	18.17	1.78	3.00	23.25	2.15	3.18	25.43	2.29	3.25	32.69	2.74	3.50	39.94	3.13	3.75	45.02	3.37	3.92	47.20	3.47	3.99	54.46	3.76	4.24
1650	60	19.52	2.08	2.76	24.96	2.52	2.90	27.29	2.70	2.97	35.06	3.24	3.17	42.83	3.72	3.38	48.27	4.02	3.52	50.60	4.14	3.59	58.37	4.51	3.79
	70	19.00	1.93	2.89	24.26	2.33	3.05	26.52	2.50	3.11	34.03	2.99	3.34	41.55	3.42	3.56	46.81	3.69	3.72	49.06	3.80	3.78	56.58	4.14	4.01
	80	18.37	1.77	3.04	23.49	2.15	3.21	25.68	2.29	3.28	32.99	2.75	3.52	40.29	3.14	3.76	45.41	3.39	3.93	47.60	3.49	4.00	54.90	3.80	4.24

GQ6SD-X60

		OUTDOOR TEMPERATURE (Deg. F)																							
CFM	Indoor T. Deg.F	10			17			20			30			40			47			50			60		
		MBH	COP	kW	MBH	COP	kW	MBH	COP	kW	MBH	COP	kW	MBH	COP	kW	MBH	COP	kW	MBH	COP	kW	MBH	COP	kW
1500	60	30.14	2.30	3.83	36.01	2.65	3.99	38.53	2.79	4.05	46.92	3.23	4.27	55.32	3.62	4.48	61.19	3.87	4.63	63.71	3.98	4.70	72.10	4.30	4.91
	70	29.19	2.07	4.14	34.97	2.39	4.29	37.45	2.52	4.36	45.71	2.93	4.57	53.96	3.30	4.79	59.74	3.55	4.94	62.22	3.64	5.01	70.48	3.96	5.22
	80	28.71	1.88	4.47	34.34	2.18	4.63	36.75	2.30	4.69	44.79	2.67	4.92	52.83	3.01	5.14	58.46	3.23	5.30	60.88	3.32	5.37	68.92	3.61	5.59
1700	60	30.42	2.31	3.86	36.38	2.66	4.00	38.93	2.81	4.06	47.44	3.26	4.27	55.95	3.67	4.47	61.91	3.94	4.61	64.46	4.05	4.67	72.97	4.39	4.88
	70	29.55	2.08	4.16	35.39	2.41	4.30	37.89	2.55	4.36	46.23	2.97	4.57	54.56	3.36	4.77	60.40	3.61	4.91	62.90	3.71	4.97	71.24	4.04	5.17
	80	28.93	1.89	4.50	34.64	2.19	4.64	37.08	2.31	4.70	45.24	2.70	4.91	53.40	3.06	5.11	59.11	3.30	5.25	61.56	3.40	5.32	69.72	3.70	5.52
1900	60	30.43	2.29	3.89	36.50	2.66	4.03	39.10	2.80	4.09	47.77	3.27	4.29	56.44	3.69	4.48	62.51	3.97	4.62	65.11	4.08	4.68	73.78	4.43	4.88
	70	29.92	2.09	4.20	35.80	2.42	4.33	38.32	2.56	4.39	46.72	2.99	4.58	55.12	3.39	4.77	61.00	3.65	4.90	63.52	3.76	4.96	71.92	4.10	5.15
	80	29.24	1.89	4.53	35.00	2.20	4.66	37.46	2.33	4.72	45.69	2.73	4.91	53.91	3.10	5.10	59.67	3.35	5.23	62.14	3.45	5.29	70.36	3.77	5.47



We Encourage Professionalism



Through Technician Certification by NATE